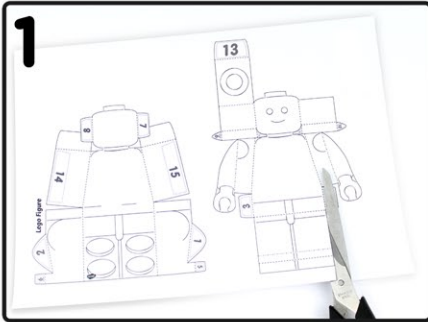
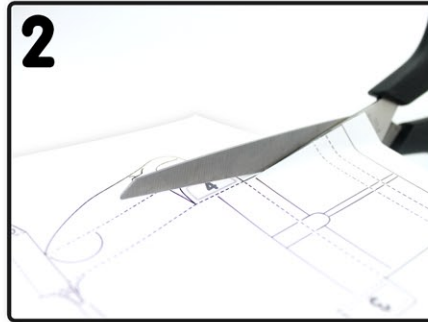


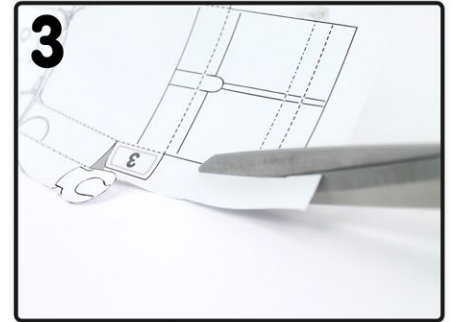
Instructions for paper-toy figure 1/2



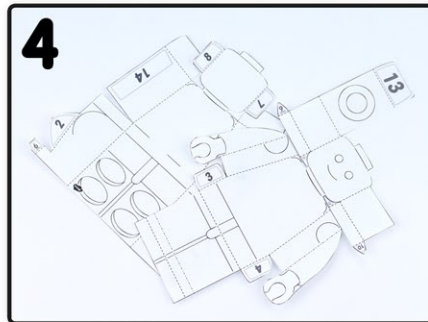
1
After printing out the sheet, start cutting out the design.



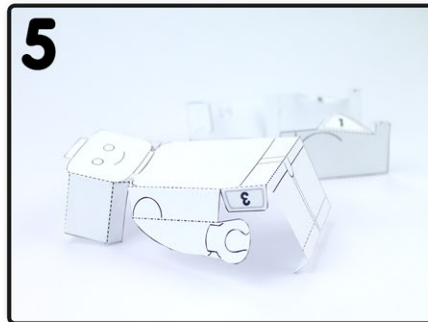
2
Cut along the solid black lines, not the dotted lines.



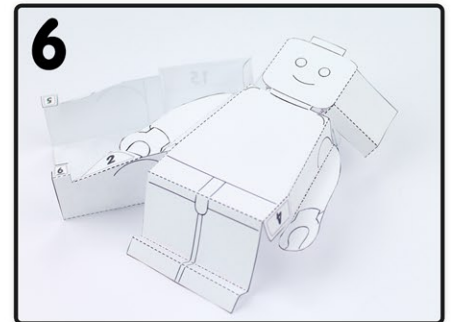
3
Be careful not to cut into the design. For best results, cut as close to the lines as you can.



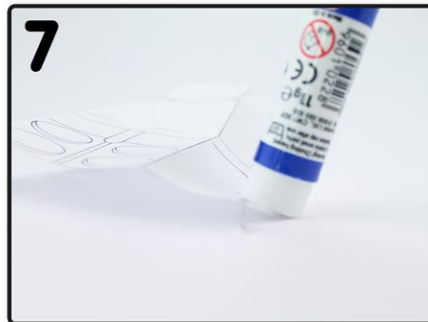
4
After the parts are cut out, it should look something like this example.



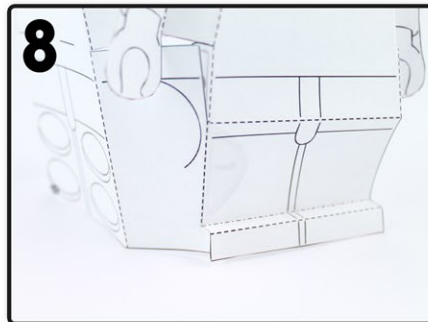
5
Fold the single dashed lines, (- - - - -) downwards.



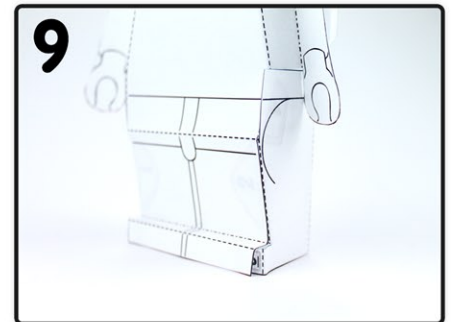
6
Fold the double dashed lines, (.) upwards.



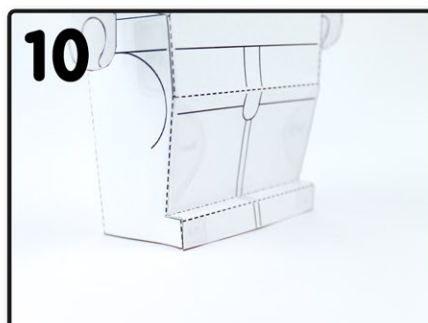
7
Glue the tabs in the order they're numbered.



8
Glue the 2 parts of the design together by connecting tab numbers 1 and 2 to the front of the legs.



9
Glue tabs 3 and 4 to the front of the hips.



10
Tabs 5 and 6 glue to the back of the toes.

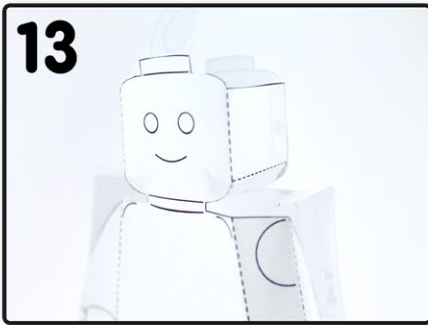


11
Tabs 7 and 8 glue to the back of head.

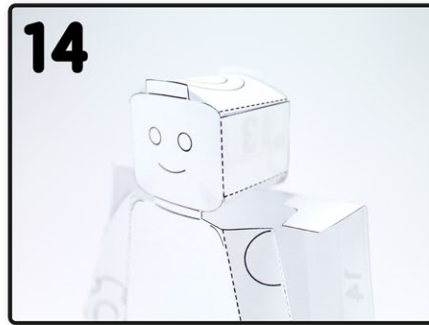


12
Tabs 9 and 10 glue to the bottom of the head.

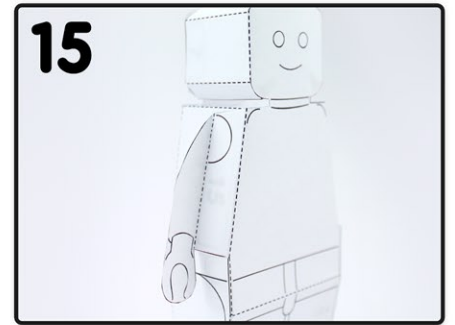
Instructions for paper-toy figure 2/2



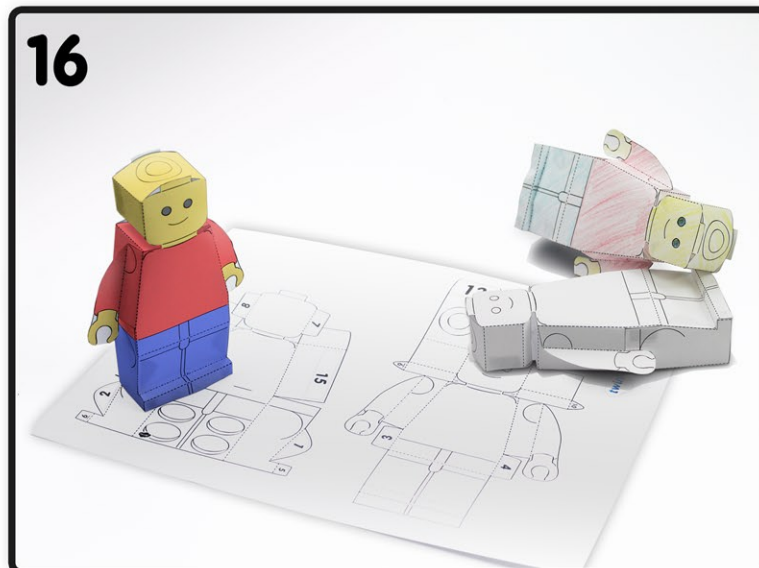
13
Glue tabs 11 and 12 to the bottom of the head.



14
Tab 13 connects the top of the head to the side of the head.



15
Tabs 14 and 15 connect to the panel next to the arms.



16
You're done! Have fun with your new folded friend.